

## CTW-872 SERIES

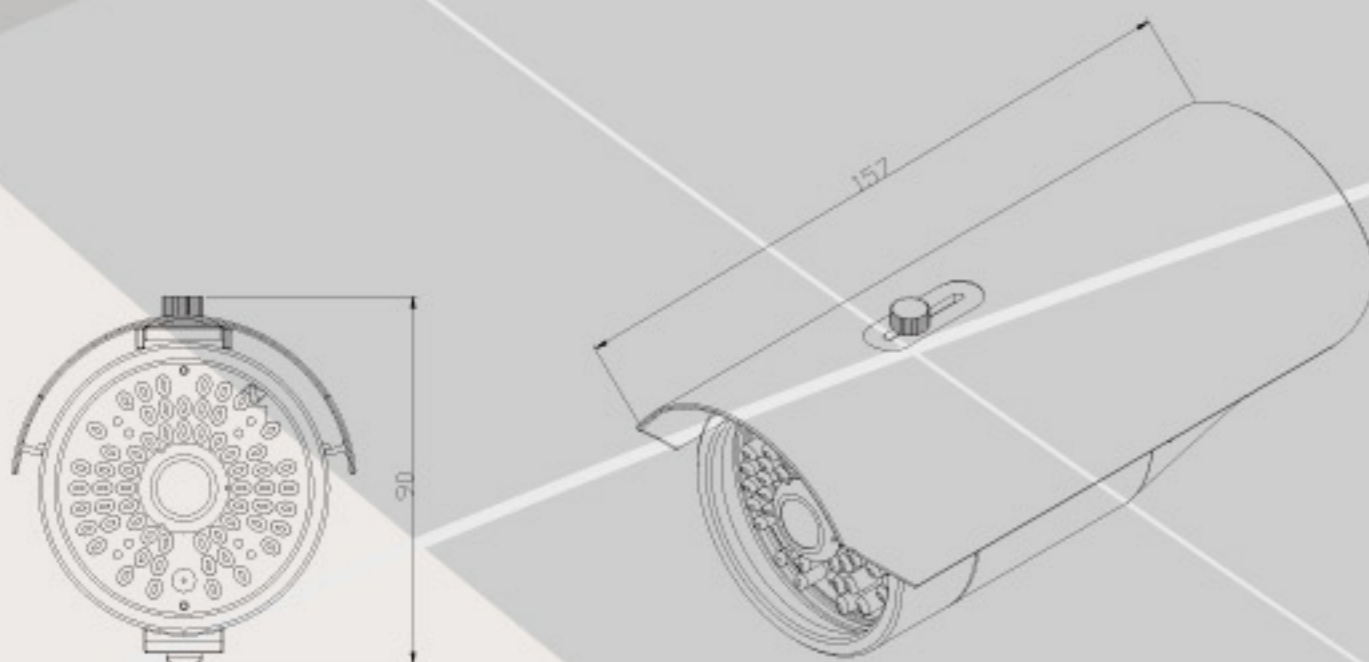


## Features

- Digital signal processor
- Auto trace white balance
- Automatic gain control
- Dual-glass design
- Water proof: IP68
- IR distance:40M~50M
- High-quality, dual-angle LED
- Dual-glasses design
- Light sensor driv RoHS



## Dimensions



| ITEMS                       | LMW-872 SERIES                                |
|-----------------------------|---|
| SCANNING SYSTEM             | 2:1 Interlace                                 |
| ELECTRONIC SHUTTER          | Auto  |
| GAIN CONTROL                | Auto  |
| BACK LIGHT COMPENSATION     | Auto  |
| WHITE BALANCE               | Auto  |
| S/N RATIO                   | More Than 48 dB                               |
| GAMMA                       | 0.45  |
| VIDEO OUTPUT                | 1 VP-P, 75 ohms                               |
| LED IR DISTANCE             | 70 Unit 5φ 850n Minfrared LED, 10000hrs (45M) |
| DAY/NIGHT ON                | Auto; >5 Lux Color;<3 Lux B/W                 |
| WEATHER PROOF IP RATING     | IP 68   |
| POWER SUPPLY                | DC 12V / AC 90 V~AC 260 V (Optional)          |
| ORAGE/OPERATING TEMPERATURE | -30°C ~ +60°C / -10°C ~ +45°C                 |
| DIMENSIONS (Ø×H) mm         | Ø90×H:157                                     |
| WEIGHT                      | 360g  |

| Model NO.    | Image Sensor            | Picture Elements H*V                    | TVL | Lens Type (mm) | Power Consumption          | Sensitivity F:1.2 | Chip      |
|--------------|-------------------------|---|-----|----------------|----------------------------|-------------------|-----------|
| CTW-872S/IR  | 1/3" SONY CCD           | NTSC:512(H)×492(V)<br>PAL:500(H)×582(V) | 420 | 4/6/8/12/16    | DC12V/80mA<br>IR ON 400mA  | 0.1 LUX           | NEXT CHIP |
| CTW-872HQ/IR | 1/3" SONY Super HAD CCD | NTSC:768(H)×494(V)<br>PAL:752(H)×582(V) | 540 | 4/6/8/12/16    | DC12V/100mA<br>IR ON 420mA | 0.1 LUX           | SONY HQ1  |